

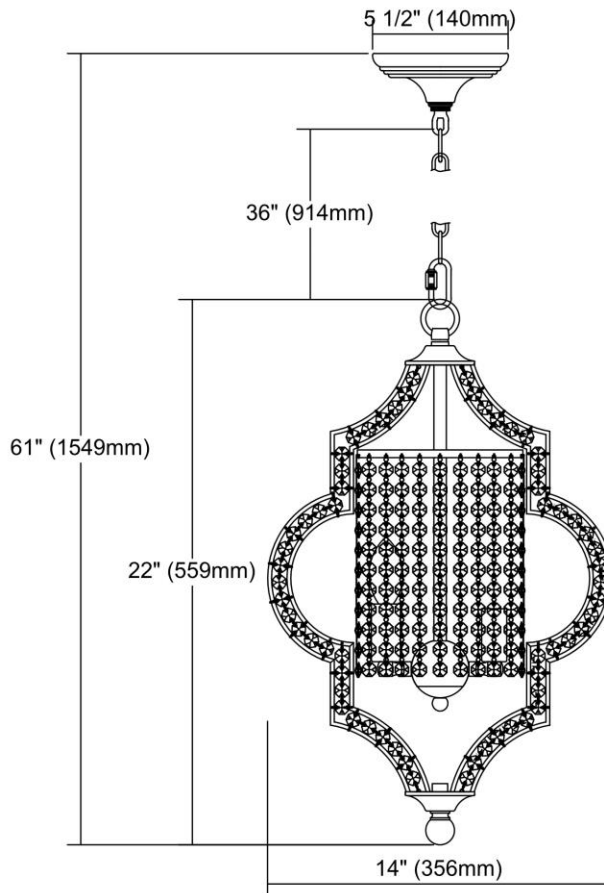


|   |                    |   |
|---|--------------------|---|
|   | <b>ITEM #:</b>     | 16270/3-LED   |
|   | <b>UPC</b>         | 748119105260  |
|   | <b>Description</b> | Gabrielle 3-Light Chandelier in Aged Silver with Clear Crystal - Includes LED Bulbs |
|   | <b>Finish</b>      | Aged Silver   |
|   | <b>Materials</b>   | Crystal, Metal  |
|   | <b>Brand</b>       | ELK Lighting  |
|   | <b>Collection</b>  | Gabrielle   |
|   | <b>Category</b>    | Indoor Lighting   |
|   | <b>Type</b>        | Chandelier  |

| ITEM DIMENSIONS           |           |  |             | RATINGS & SPECIFICATIONS       |               |  |                        |                           |
|---------------------------|-----------|--|-------------|--------------------------------|---------------|--|------------------------|---------------------------|
| <b>Width</b>              | 14 inches |  |             | <b>Safety Rating</b>           | UL            |  | <b>Certification</b>   | N/A                       |
| <b>Depth</b>              | 14 inches |  |             | <b>ADA Compliant</b>           | N/A           |  | <b>Voltage</b>         | N/A                       |
| <b>Height</b>             | 22 inches |  |             | <b>BULBS / SOCKETS</b>         |               |  |                        |                           |
| <b>Weight</b>             | 7 pounds  |  |             | <b>Quantity</b>                | 3             |  | <b>Wattage</b>         | 4.8 watts                 |
| ADDITIONAL DIMENSIONS     |           |  |             | <b>Included</b>                | No            |  | <b>Type</b>            | B11 (E12 Candelabra Base) |
| <b>Backplate / Canopy</b> | 6x6       |  |             | <b>Other</b>                   | N/A           |  |                        |                           |
| <b>HCWO</b>               | N/A       |  |             | CHAIN / CORD INFORMATION       |               |  |                        |                           |
| <b>Min. Extension</b>     | N/A       |  |             | <b>Chain</b>                   | N/A           |  | <b>Cord</b>            | N/A                       |
| <b>Max. Extension</b>     | N/A       |  |             | SHADE / GLASS DETAILS          |               |  |                        |                           |
| OVERALL HEIGHT            |           |  |             | <b>Shade/Glass Description</b> | Clear Crystal |  |                        |                           |
| <b>Min.</b>               | N/A       |  | <b>Max.</b> | N/A                            |               |  |                        |                           |
| EXTENSION ROD(S)          |           |  |             | <b>Width</b>                   | N/A           |  | <b>Height</b>          | N/A                       |
| N/A                       |           |  |             | <b>Width at Top</b>            | N/A           |  | <b>Width at Bottom</b> | N/A                       |



Rev. 5/9/2019