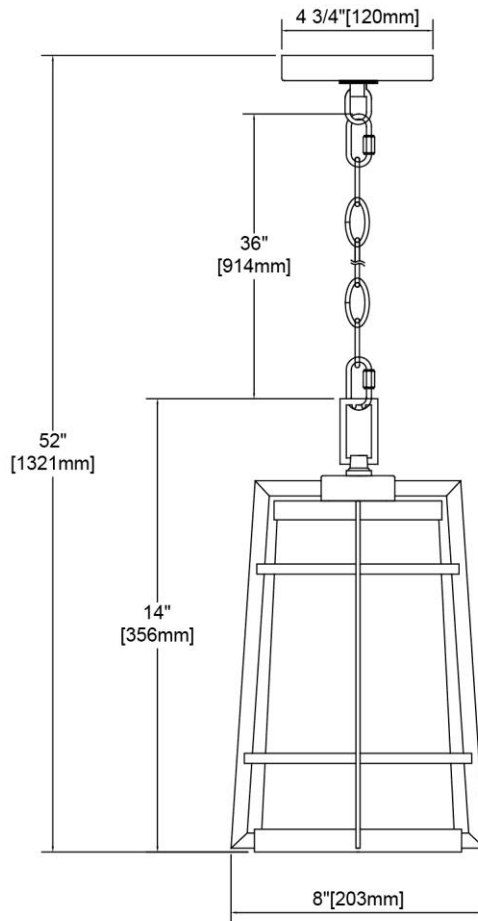




|                    |  |
|--------------------|--|
| <b>ITEM #:</b>     | 45493/1  |
| <b>UPC</b>         | 748119139227   |
| <b>Description</b> | Crofton 1-Light Outdoor Pendant in Charcoal with Clear Glass |
| <b>Finish</b>      | Charcoal   |
| <b>Materials</b>   | Glass, Steel   |
| <b>Brand</b>       | ELK Lighting   |
| <b>Collection</b>  | Crofton  |
| <b>Category</b>    | Outdoor Lighting   |
| <b>Type</b>        | Hanging  |

| ITEM DIMENSIONS           |               |             |           | RATINGS & SPECIFICATIONS       |             |                |                        |                |
|---------------------------|---------------|-------------|-----------|--------------------------------|-------------|----------------|------------------------|----------------|
| <b>Width</b>              | 8 inches      |             |           | <b>Safety Rating</b>           | ETL         |                | <b>Certification</b>   | Damp locations |
| <b>Depth</b>              | 8 inches      |             |           | <b>ADA Compliant</b>           | N/A         |                | <b>Voltage</b>         | 120 volts      |
| <b>Height</b>             | 14 inches     |             |           | <b>BULBS / SOCKETS</b>         |             |                |                        |                |
| <b>Weight</b>             | 6 pounds      |             |           | <b>Quantity</b>                | 1           | <b>Wattage</b> | 60 watts               |                |
| ADDITIONAL DIMENSIONS     |               |             |           | <b>Included</b>                | No          | <b>Type</b>    | A19 (E26 Medium Base)  |                |
| <b>Backplate / Canopy</b> | 4.75 diameter |             |           | <b>Other</b>                   | N/A         |                |                        |                |
| <b>HCWO</b>               | N/A           |             |           | CHAIN / CORD INFORMATION       |             |                |                        |                |
| <b>Min. Extension</b>     | N/A           |             |           | <b>Chain</b>                   | 36 inches   | <b>Cord</b>    | 72 inches - Black      |                |
| <b>Max. Extension</b>     | N/A           |             |           | SHADE / GLASS DETAILS          |             |                |                        |                |
| OVERALL HEIGHT            |               |             |           | <b>Shade/Glass Description</b> | Clear Glass |                |                        |                |
| <b>Min.</b>               | 17 inches     | <b>Max.</b> | 52 inches |                                |             |                |                        |                |
| EXTENSION ROD(S)          |               |             |           | <b>Width</b>                   | 6 inches    |                | <b>Height</b>          | 10 inches      |
| N/A                       |               |             |           | <b>Width at Top</b>            | N/A         |                | <b>Width at Bottom</b> | N/A            |



Rev. 12/12/2019