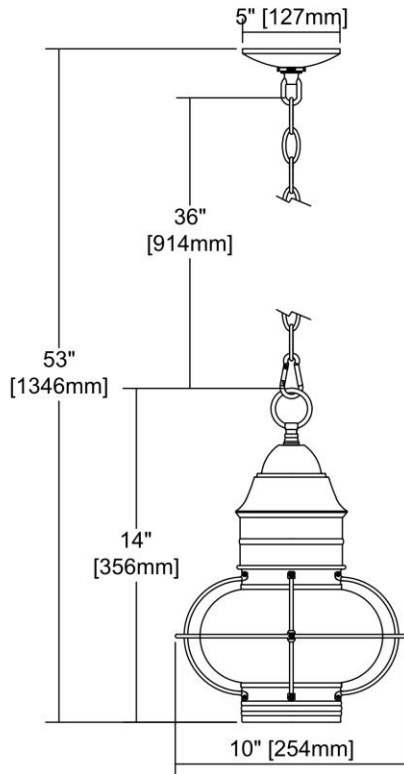




ITEM #:	57173/1
UPC	748119128535
Description	Onion 1-Light Outdoor Pendant in Aged Zinc
Finish	Aged Zinc
Materials	Glass, Metal
Brand	ELK Lighting
Collection	Onion
Category	Outdoor Lighting
Type	Hanging

ITEM DIMENSIONS				RATINGS & SPECIFICATIONS				
Width	10 inches			Safety Rating	N/A		Certification	N/A
Depth	10 inches			ADA Compliant	N/A		Voltage	N/A
Height	14 inches			BULBS / SOCKETS				
Weight	4 pounds			Quantity	1	Wattage	60 watts	
ADDITIONAL DIMENSIONS				Included	No		Type	A19 (E26 Medium Base)
Backplate / Canopy	5x5			Other	N/A			
HCWO	N/A			CHAIN / CORD INFORMATION				
Min. Extension	N/A			Chain	N/A		Cord	N/A
Max. Extension	N/A			SHADE / GLASS DETAILS				
OVERALL HEIGHT				Shade/Glass Description	Clear Blown Seedy Glass			
Min.	N/A		Max.	N/A				
EXTENSION ROD(S)				Width	N/A		Height	N/A
N/A				Width at Top	N/A		Width at Bottom	N/A



Rev. 5/9/2019